

MODEL 115 PLATYPUS

Mobile/Modular Home Mover



The Model 115 Platypus is equipped with Heavy-Duty Excavator type tracks (street pads) for dependable long service life, expertly designed to make lifting and moving mobile and modular housing units quick, easy and safe! The Platypus's hydraulic system, powered by a Kohler 2 cyl. 4-cycle 27 HP engine, provides the power and flexibility to accurately position the housing unit, even on the most demanding of worksites.



Cutting Systems, Inc.

774 Zeb Road Union Grove NC 28689

Ph: 704-592-2451 or Toll Free 1-877-844-1274

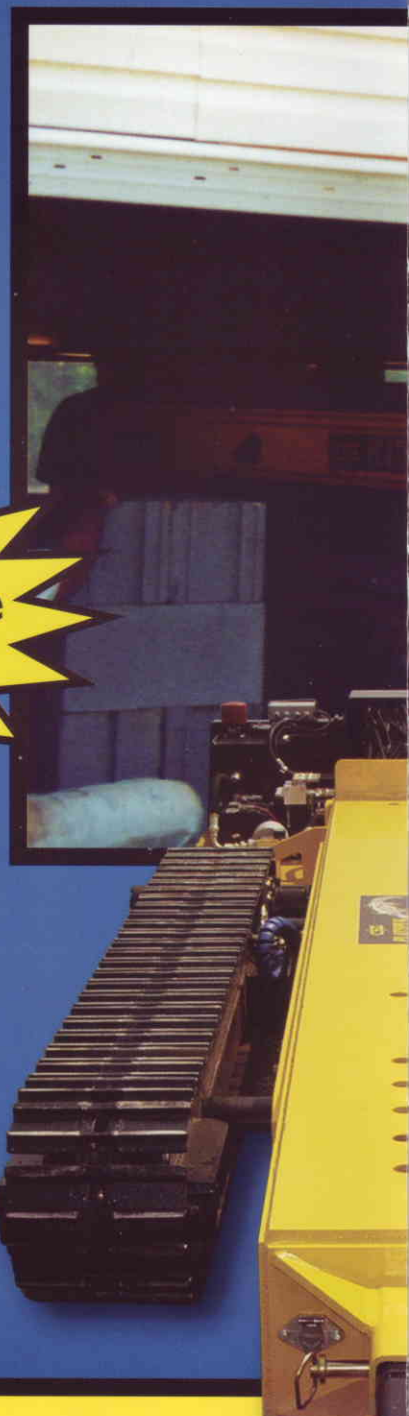
www.cuttingsys.com



Introducing the All-New Model 115 Platypus Move it, Steer it, and Lift it into place

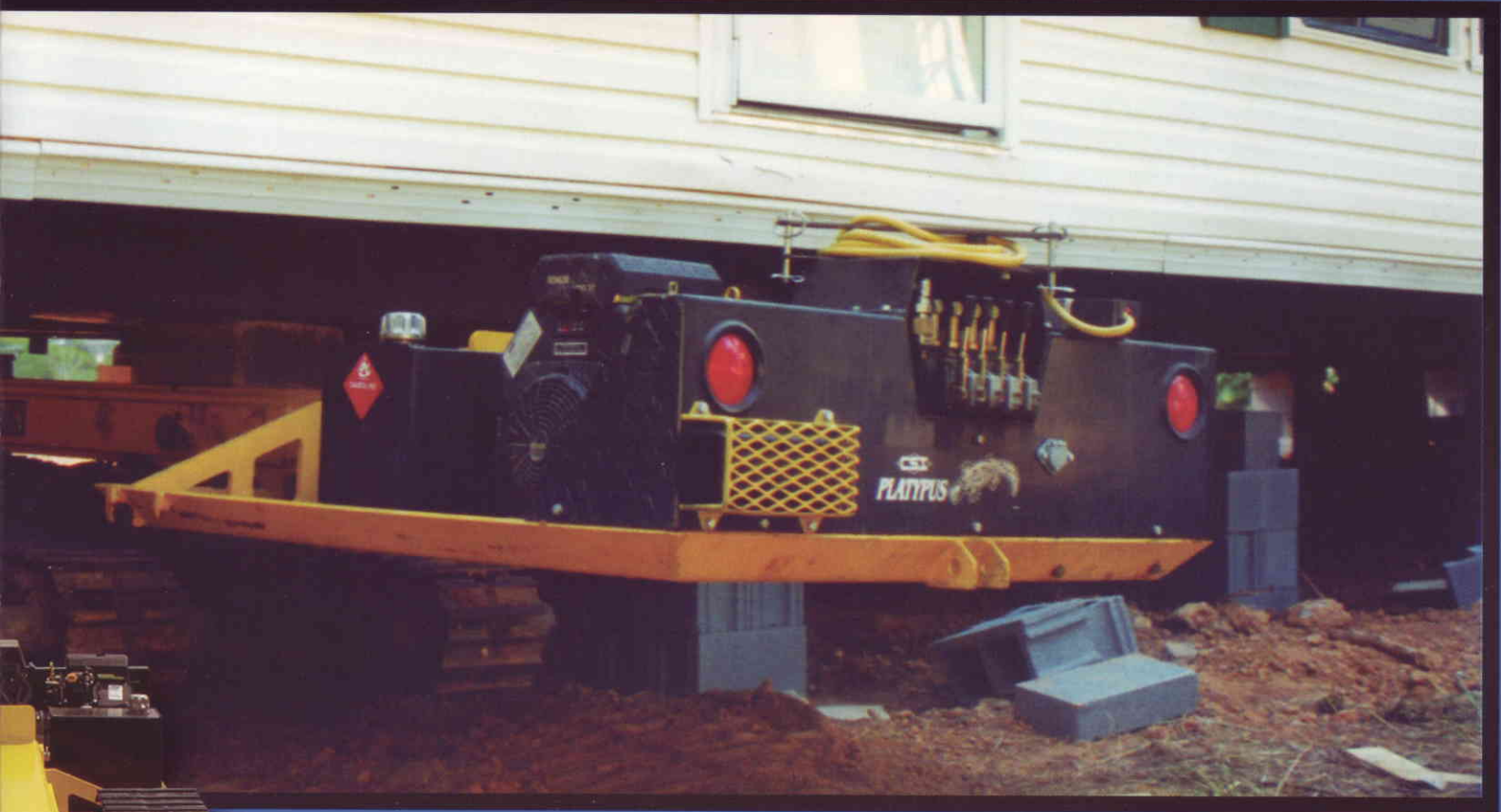


High or low,
and everywhere
in-between!



The Model 115 - FLEXIBILITY
Platypus offers the - ADAPTABILITY
mfg'd home mover: - DEPENDABILITY

Platypus Mobile / Modular Home Mover Easily, Quickly, Safely, and Precisely



The CSI Model 115 Platypus lifts and moves manufactured housing units with ease. Mating the halves of a modular or doublewide home is achieved without jacking or rolling. As a result, productivity is higher and the jobsite is safer. The Platypus's umbilical remote control removes the operator from a hazardous position and allows an unobstructed view of the work zone. By reducing hazards and man-hours per set, the Platypus offers a quick return on investment by lowering major cost factors.

Cutting Systems, Inc.

774 Zeb Road Union Grove NC 28689
Ph: 704-592-2451 or Toll Free 1-877-844-1274
www.cuttingys.com

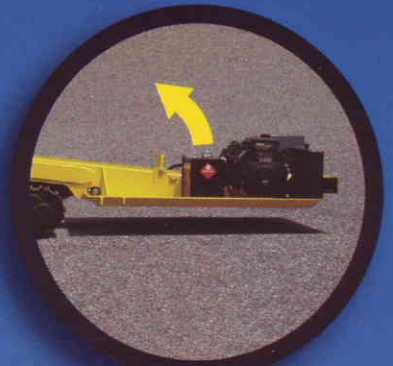


MODEL 115 PLATYPUS

Features and Specifications



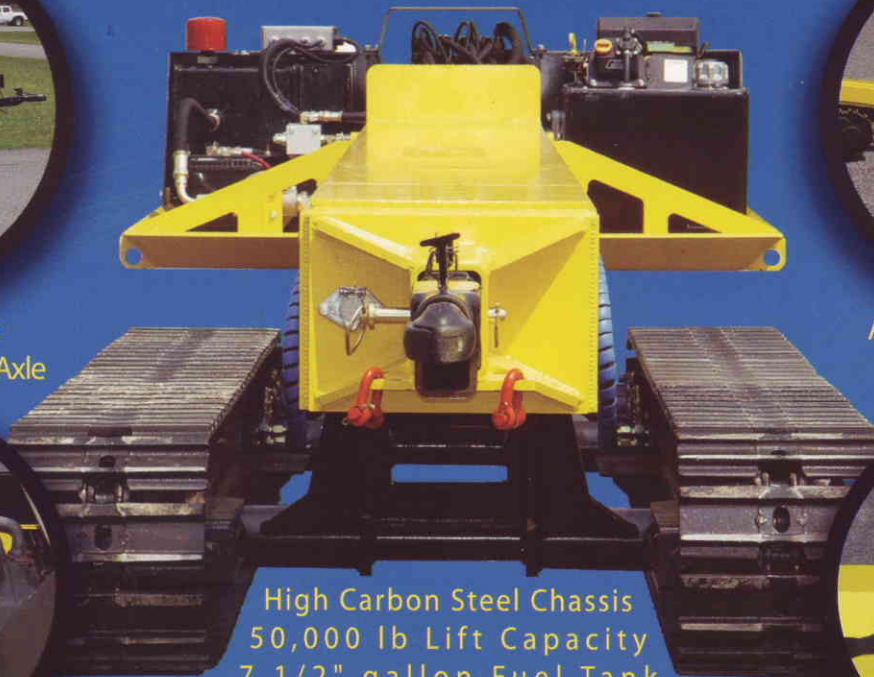
Quick Disconnect
Transport Wheels and Axle



Articulated Motor Pan
for Added Flexibility



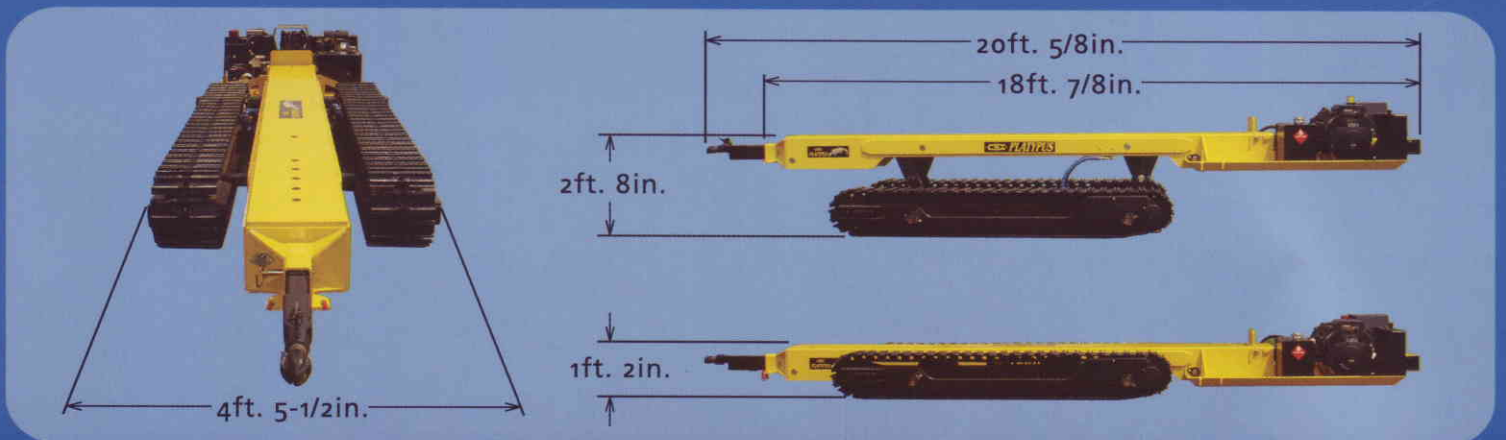
27hp Kohler Engine



High Carbon Steel Chassis
50,000 lb Lift Capacity
7 1/2" gallon Fuel Tank
12 gallon Hydraulic Tank



Umbilical Remote Control



Cutting Systems, Inc.

774 Zeb Road Union Grove NC 28689
Ph: 704-592-2451 or Toll Free 1-877-844-1274
www.cuttingsys.com

Sold and Serviced By: